



C75YZ NEW DC Traction Motor

Joliet Electric Motors...
the quality source for
Traction Motors.
For more than 75
years our motors have
delivered Quality,
Value and Reliability...
Day-in—Day-out.



Joliet is an industry leader, providing traction motors for offshore drilling, land drilling, marine, and manufacturing markets. Joliet has developed a new factory drilling motor, the **Joliet C75YZ**, to an identical match of the *752® traction motor.

Improve Your Bottom Line

The **Joliet C75YZ** meets all of the 752's performance specifications, except for the cost. Joliet continues to provide standard 1000HP and new high torque series & shunt wound traction motors. All types of variations for protection & blower options are available.

Joliet's C75YZ has proven reliability throughout the drilling & marine industries and continues to meet & exceed all expectations. The **Joliet C75YZ** provides competitive pricing and unsurpassed quality.

* 752® is a registered trademark of GE Transportation Systems.



P.O. Box 114
Joliet, Illinois 60434 USA

(800) 435-9350 (713) 467-7559
Fax: (713) 467-7887
www.jolietelectricmotors.com • tractionmotors.com

Features

- New factory drilling frame & mechanical components
- New Class H electrical components
- New drive hub
- New pressurized connection box with terminal block
- New precision formed plated copper bolt on connection buss work
- New XP lockout switch
- New XP pressure switch
- New Space Heater, 120/240 VAC, Explosion Proof
- New brushes
- New bearings
- New 10 HP blower with XP Motor
- New bolt on chain bosses (PE)
- Red oxide primer inside & out with 2 part grey marine epoxy over all exterior surfaces
- New die cut class H field coil ground insulation
- New radial constant pressure brush holders
- Precision dynamic balance better than ISOG2
- New lead cable with pass thru terminals
- High torque—New 646 Armored lead cable
- ISO 9001:2000 Quality Program
- New cushioned “Export Spec.” shipping skid
- Shrink-wrap w/Desiccant
- 12/18 month warranty

Three Key Features Distinguish Joliet's C75YZ From The Competition

1 **Dimensionally Interchangeable with the 752**
(no variances in blower mounts, no welded feet, etc.)

2 **Competitively Priced**

3 **Superior Quality**



Joliet C75YZ Drive End View



Joliet C75YZ Opposite Drive End



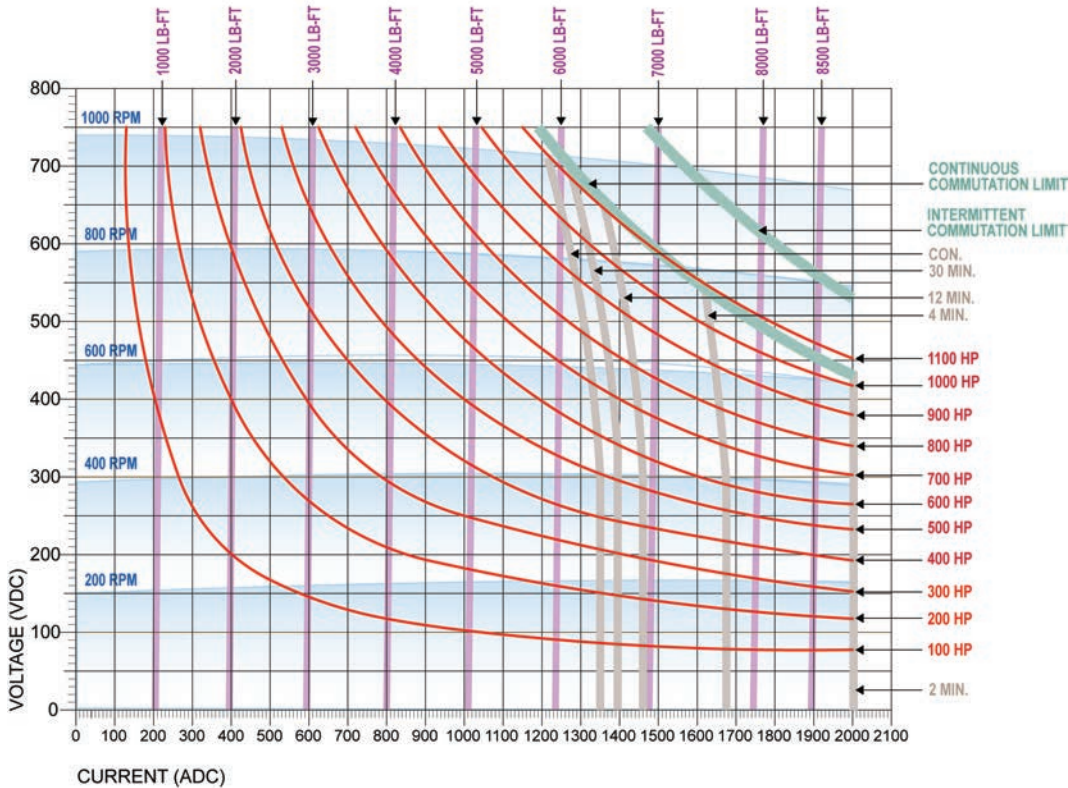
Joliet C75YZ New Drilling Frame Opposite Drive End View



Joliet C75YZ New Drilling Frame Drive End View

Performance / Specifications

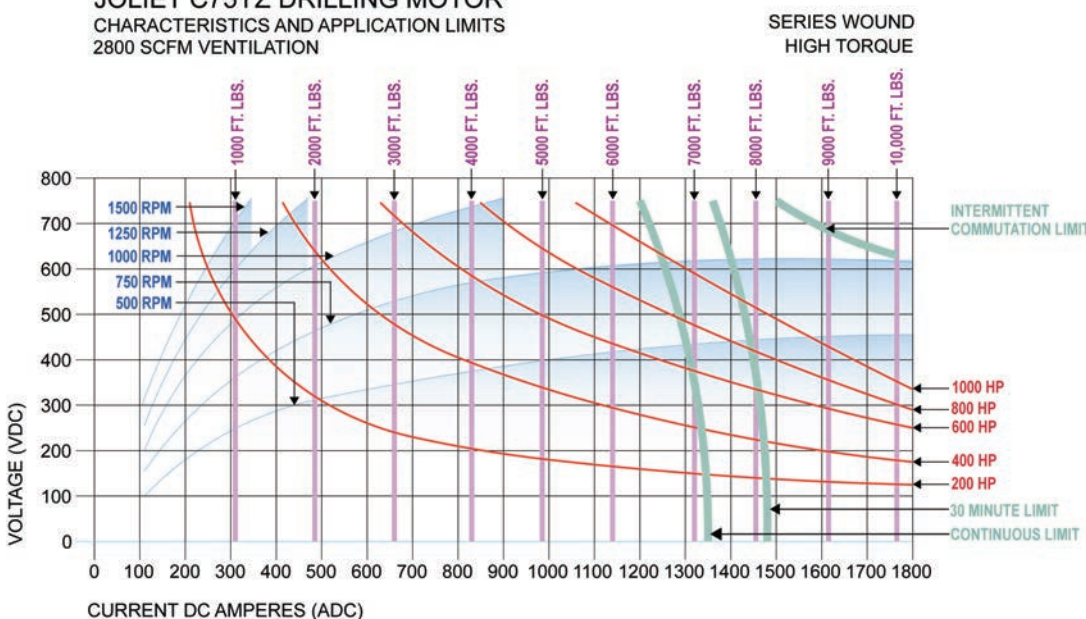
JOLIET C75YZ DRILLING MOTOR
 CHARACTERISTICS AND APPLICATION LIMITS
 60 FIELD AMPS AT 2800 SCFM VENTILATION



NOTE:
 Overload: RMS current from beginning of overload to beginning of succeeding overload not to exceed the continuous current rating given at highest voltage used. Duration of an overload should not exceed times indicated.

- Shunt Wound**
- 1130 HP continuous duty
 - 1365 HP intermittent duty
 - 750 Volts, 60 Amp., 1185 Amperes, 1040 RPM
 - Class H insulation

JOLIET C75YZ DRILLING MOTOR
 CHARACTERISTICS AND APPLICATION LIMITS
 2800 SCFM VENTILATION

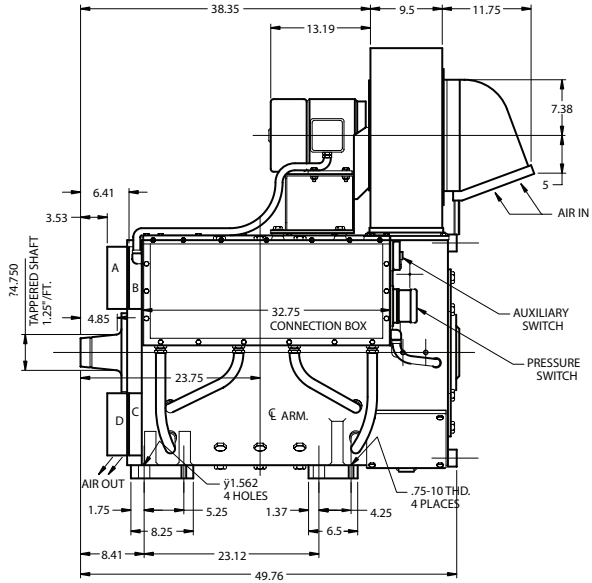
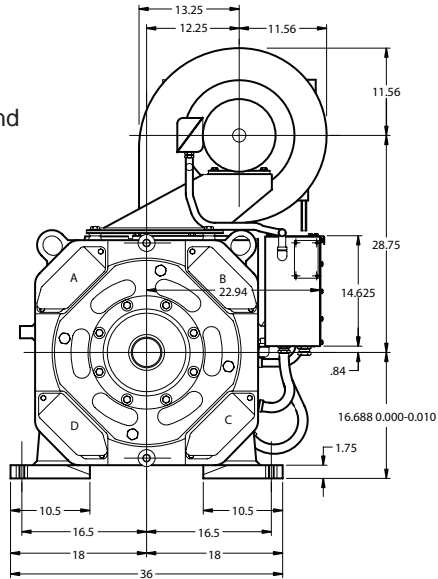


- Series Wound High Torque**
- 1085 HP continuous duty
 - 1320 HP intermittent duty
 - 750 VDC, 1150 Amperes, 965 RPM
 - Class H insulation

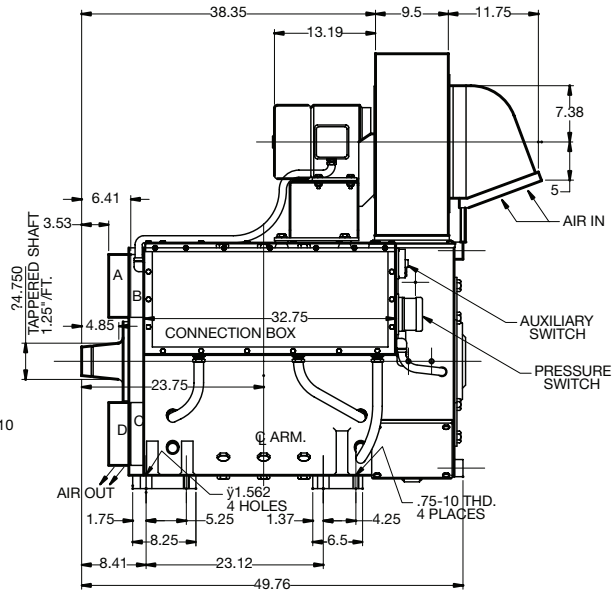
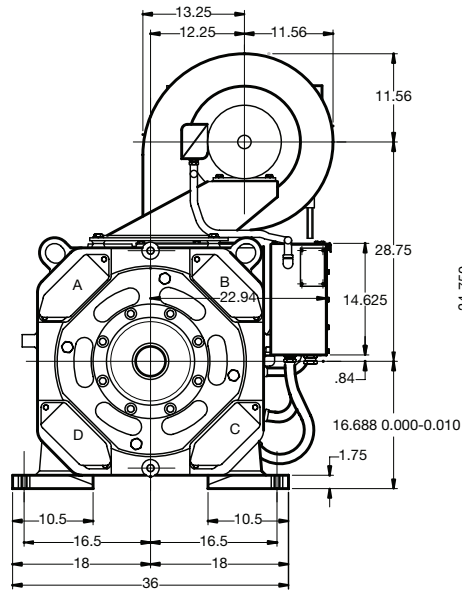


C75YZB Series Wound

Drive End



C75YZE Shunt Wound



Not to be used for construction.

Approximate Weight: 7,225 lbs

Dimensions are in inches.